

OPTIMUS PRIME



Pack 03

BUILD INSTRUCTIONS

ASSEMBLING THE FINGERS
ASSEMBLING THE THUMB
ASSEMBLING THE LEFT HAND
ASSEMBLING THE LOWER LEFT ARM

AGORA
MODELS®

Advice from the experts

 **Please keep ALL unused screws as they may be required in a later stage.**

Please make sure you don't mix up the screws. They look quite similar, but the threads do vary slightly. Using the wrong screws may damage the parts.

When securing parts together using multiple screws, fit each screw loosely to ensure all the parts are correctly aligned before gently tightening them firmly, but not overtight, in the order in which you placed them.

The screwdriver can be magnetized by stroking it with a magnet (fridge magnet, etc.) enabling it to hold the screws and make assembly easier.

If a screw is tight going into a metal part, do not force it as you may shear the head off. Remove it and put a tiny smear of Vaseline, soap or light oil on the thread. That will lubricate it and make it easier to drive home.

Some parts will require a little glue for assembly. Please apply glue sparingly and use a cocktail stick so that you don't use too much nor apply the glue too heavily. We recommend superglue gel or Extra Thin Liquid modeling glue. Where possible, parts should be test-fitted in place before gluing.



Look out for the glue symbol and apply glue to the red area indicated in the picture.

During the course of this build, you will receive many pieces that you will assemble immediately – following the instructions in the corresponding stage – and other pieces that you should store in the tray supplied, for use in future assembly stages.

Always protect the paint finish on components by placing a cutting mat, sheet of white paper or soft cloth on your work surface.

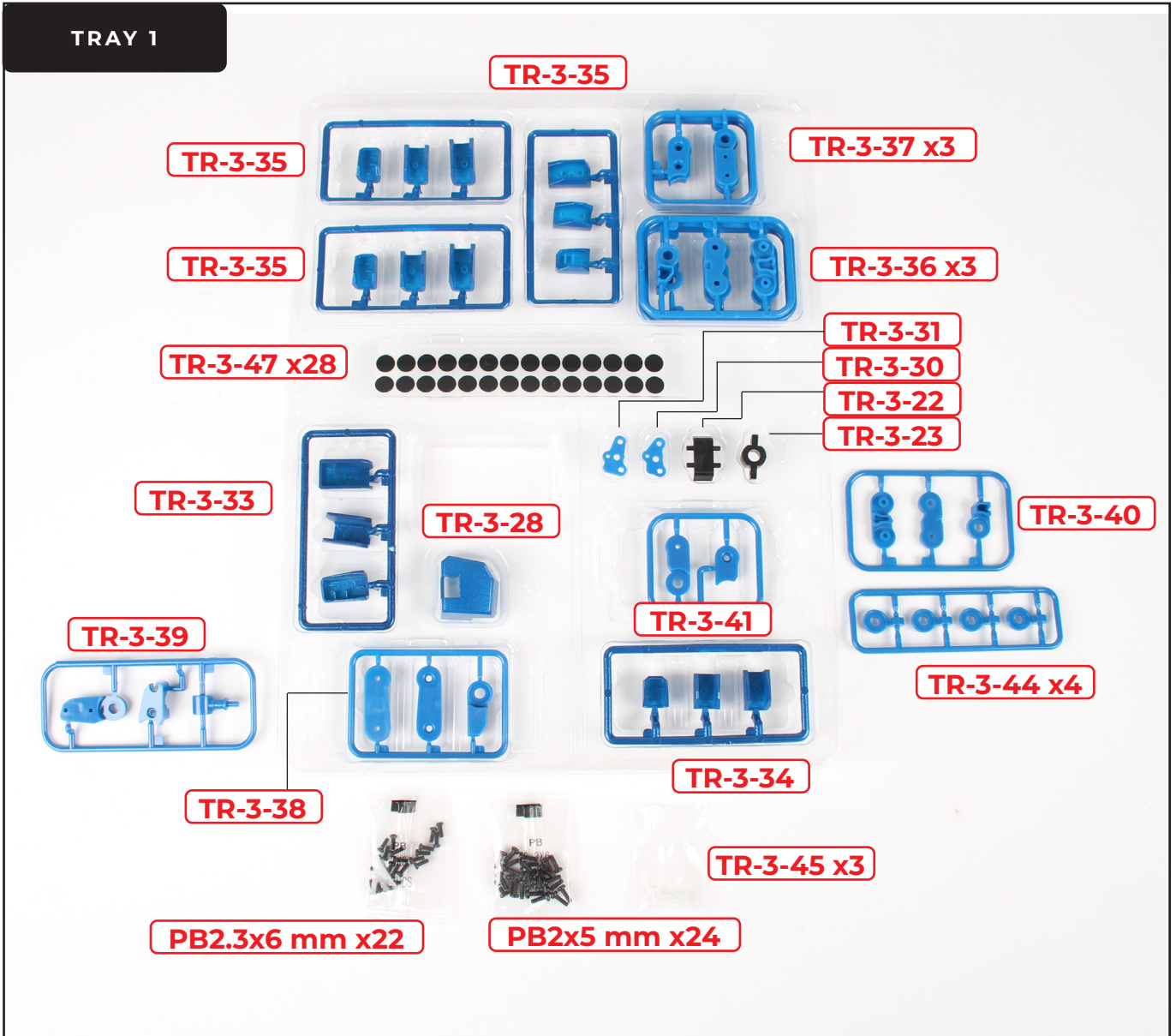
Left and Right! When building your Optimus Prime, the left or right hand side refers to each side as viewed by Optimus Prime. Optimus Prime's left arm is on the viewer's right.



WARNING: Some parts are assembled using magnets. These magnets can cause serious injury if they are swallowed. Keep away from children. If you suspect a magnet has been swallowed, seek medical help straight away.

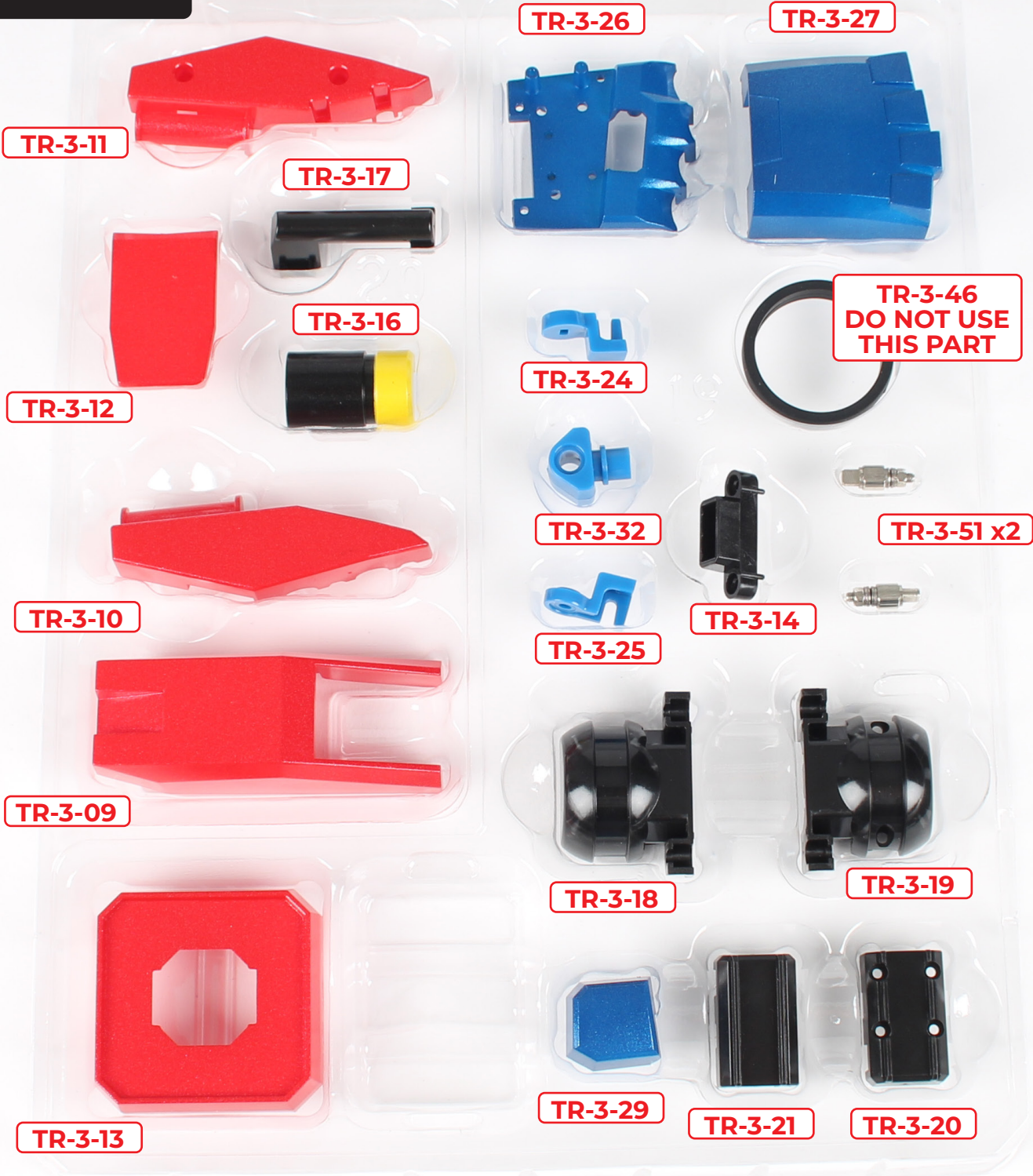
Pack 3 Parts

TRAY 1



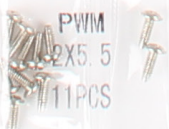
Pack 3 Parts

TRAY 2



WARNING:
DO NOT USE PART TR-3-46. PLEASE USE THE REPLACEMENT PART SUPPLIED IN A SEPERATE BAG. TAKE GREAT CARE NOT TO GET THE PARTS MUDDLED UP.

**PWM 2x5.5 mm
 x11**



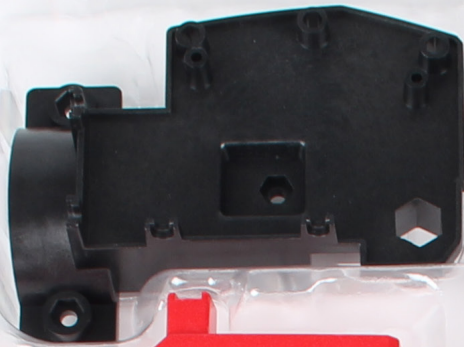
**PWB 2x6 mm
 x5**



Pack 3 Parts

TRAY 3

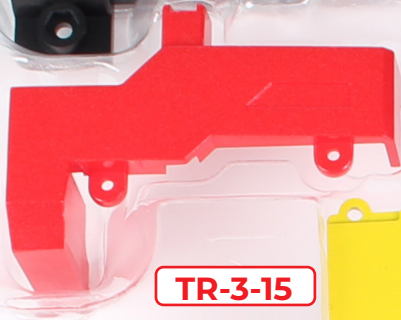
TR-3-03



TR-3-01



TR-3-07



TR-3-02



TR-3-15



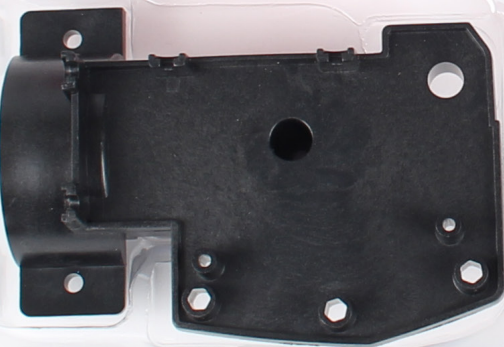
TR-3-08



TR-3-05



TR-3-04



TR-3-06



TR-3-50 x3



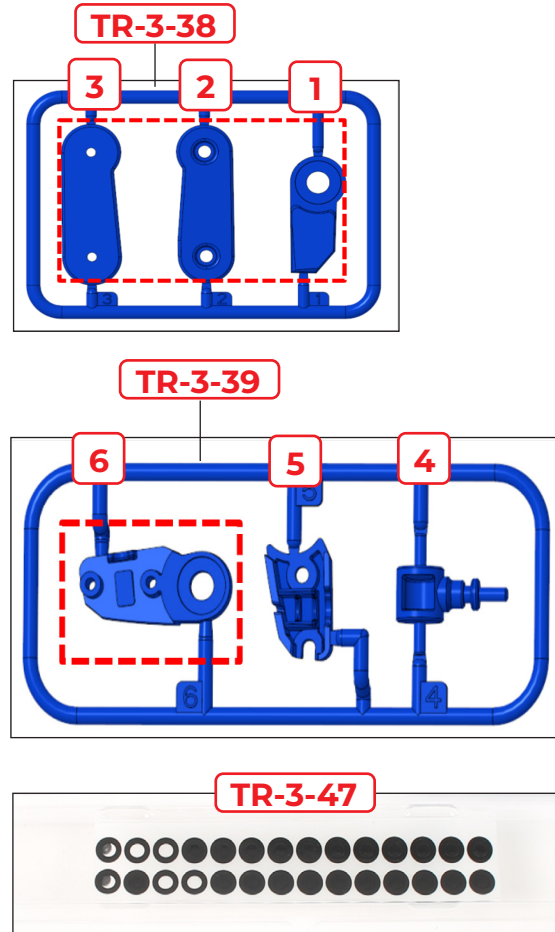
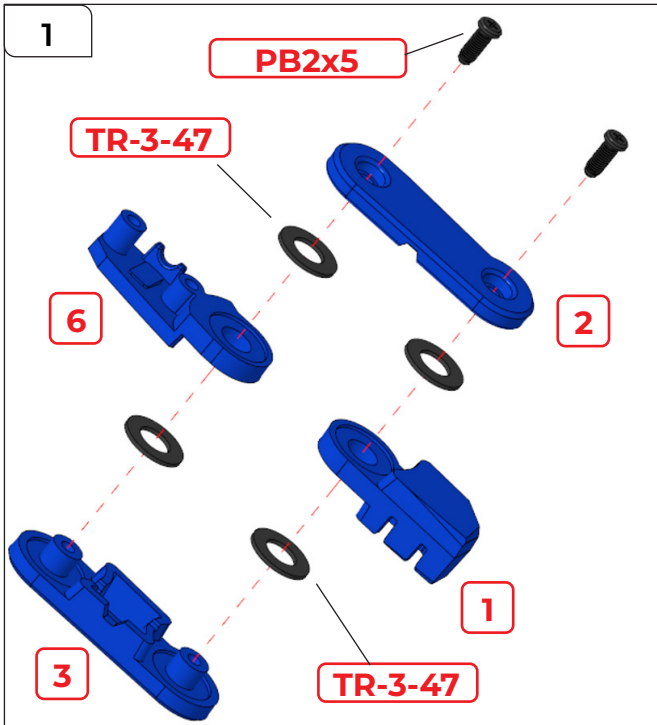
M3x12 mm
x3



TR-3-49 x4



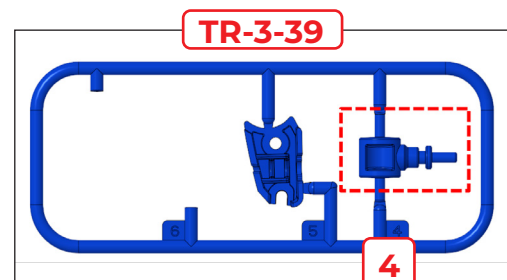
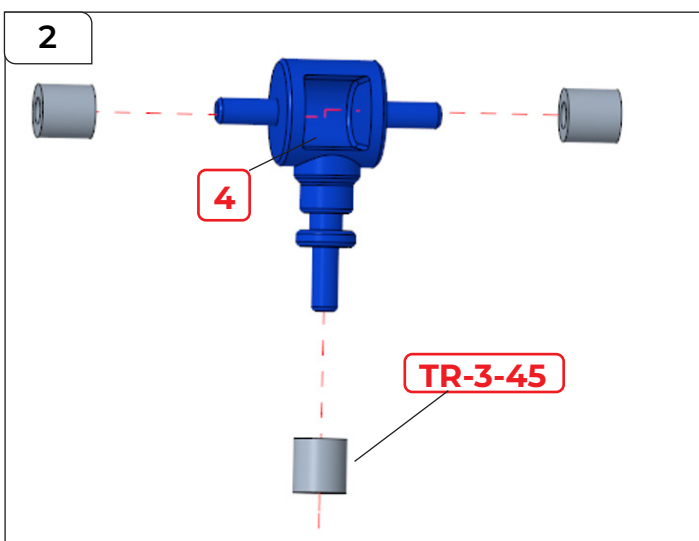
Assembling the Thumb



STEP 1

NOTE: when removing parts from the sprues, we recommend snapping them off rather than using sprue cutters in order to preserve the paintwork.

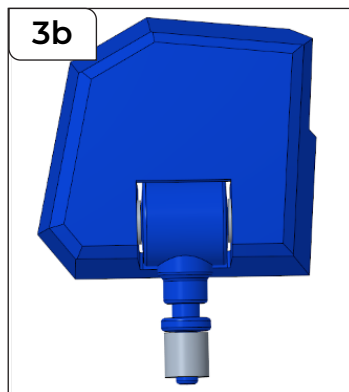
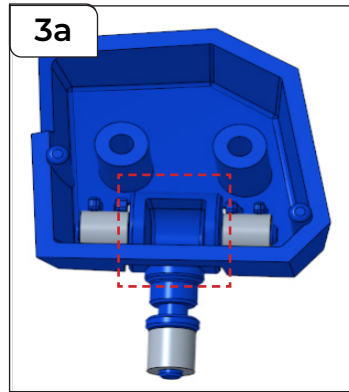
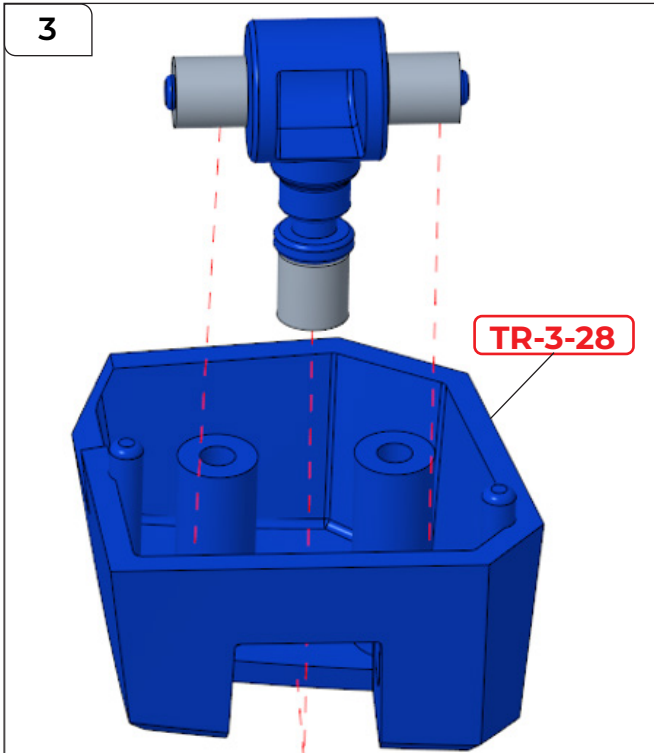
Snap No.s 1, 2, & 3 from sprue **TR-3-38**.
 Snap No. 6 from sprue **TR-3-39**.
 Place **2x TR-3-47** onto 3.
 Place **2x TR-3-47** onto 1 and 6.
 Place 1 and 6 onto 3. Wiggle them back and forth to get a tight fit otherwise the casings won't fit at a later stage.
 Place 2 onto 1 and 6, then secure the assembly together using **2x PB2x5 mm** screws.



STEP 2

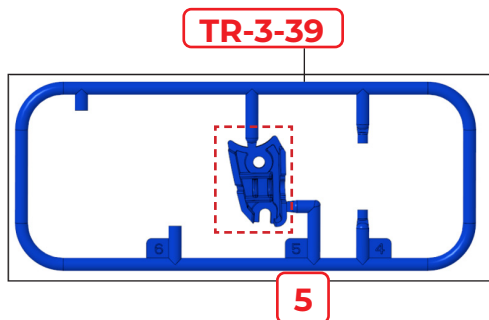
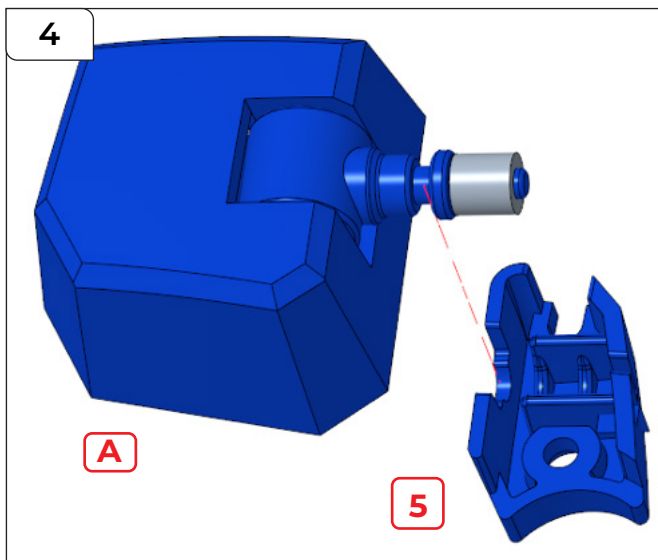
Snap No. 4 from sprue **TR-3-39**
 Place **3x TR-3-45** onto 4.

Assembling the Thumb



STEP 3

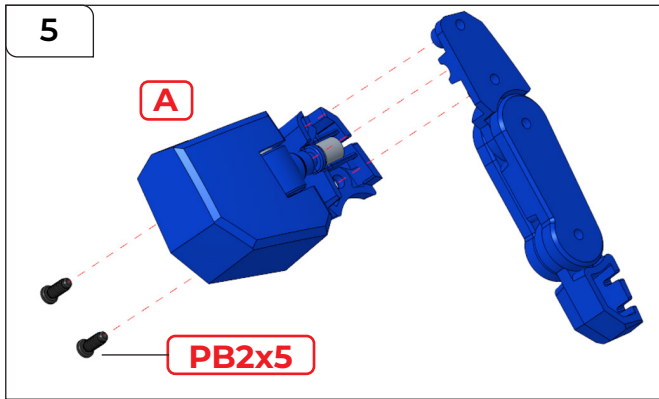
Place the assembly from step 2 onto **TR-3-28**, paying close attention to the orientation, as shown in 3a and 3b.



STEP 4

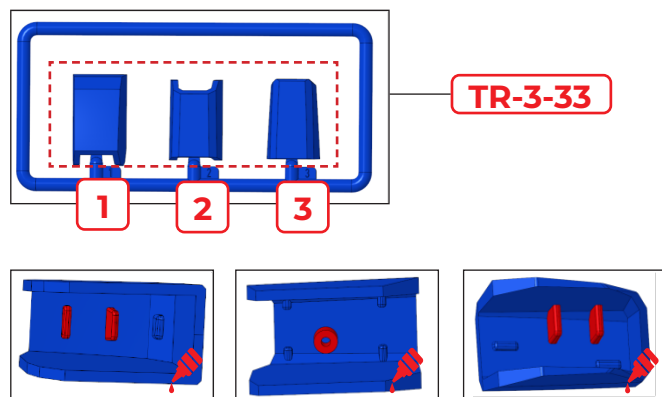
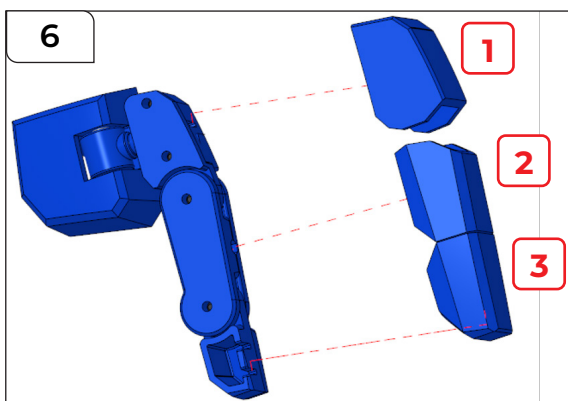
Snap No. 5 from sprue **TR-3-39**. Place 5 onto A.

Assembling the Thumb



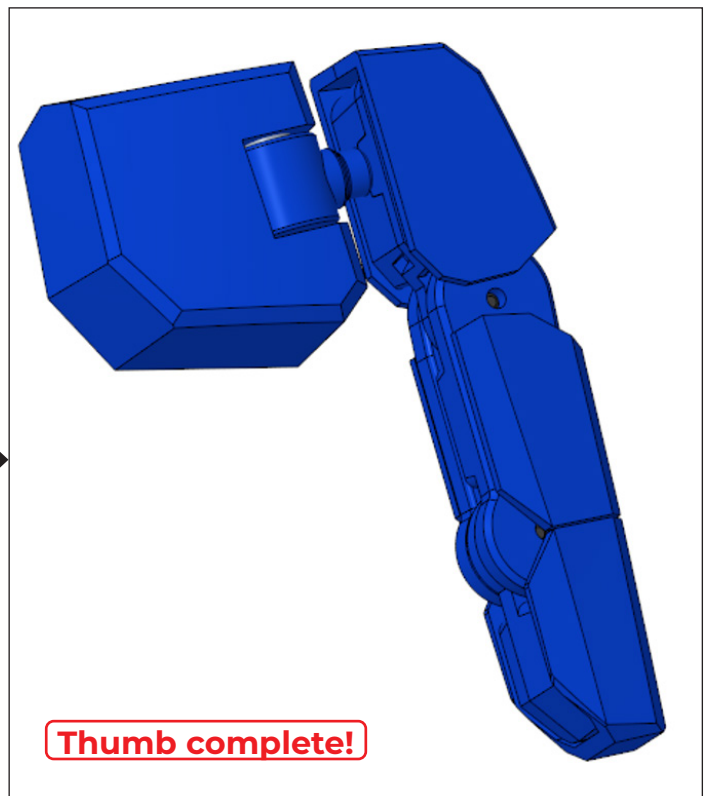
STEP 5

Attach A to the assembly from step 1 and secure the parts together using **2x PB2x5 mm** screws.

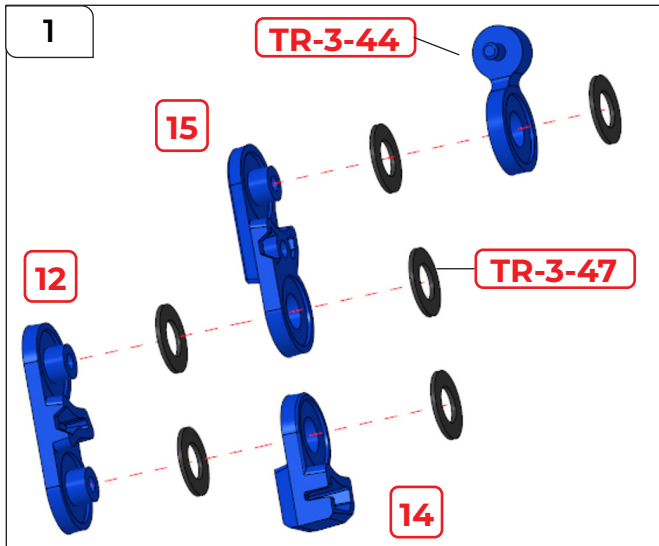


STEP 6

Snap No.s 1, 2 & 3 from sprue **TR-3-33** and apply glue as shown. Fix to the assembly from step 5 as shown.



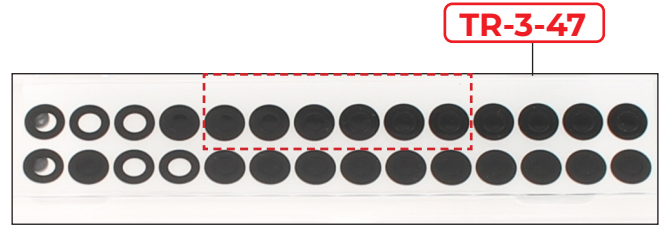
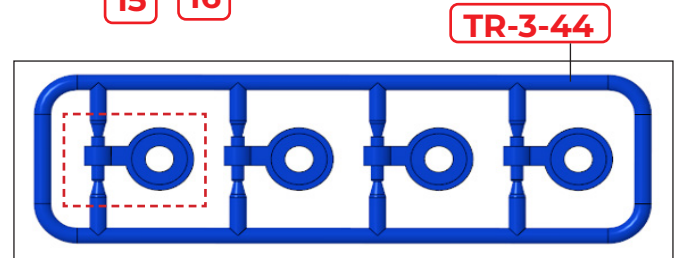
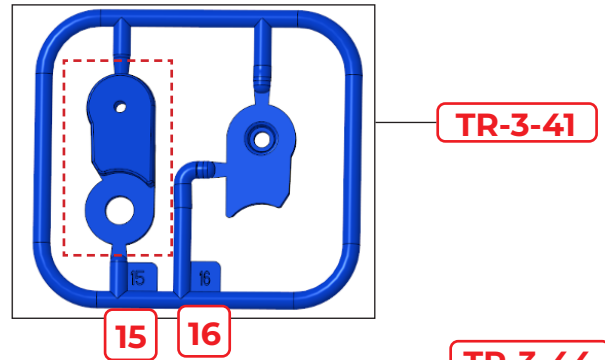
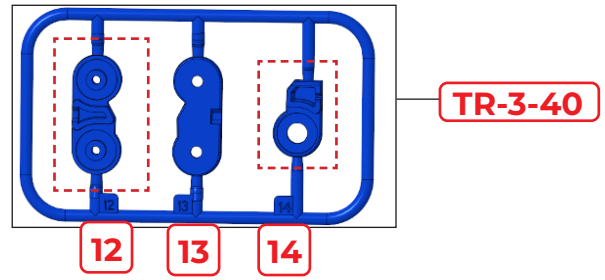
Assembling the Fingers



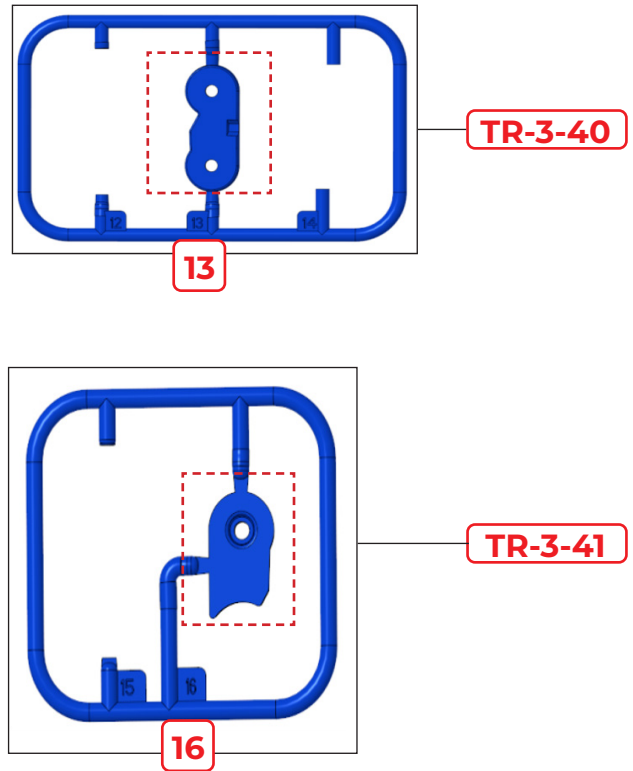
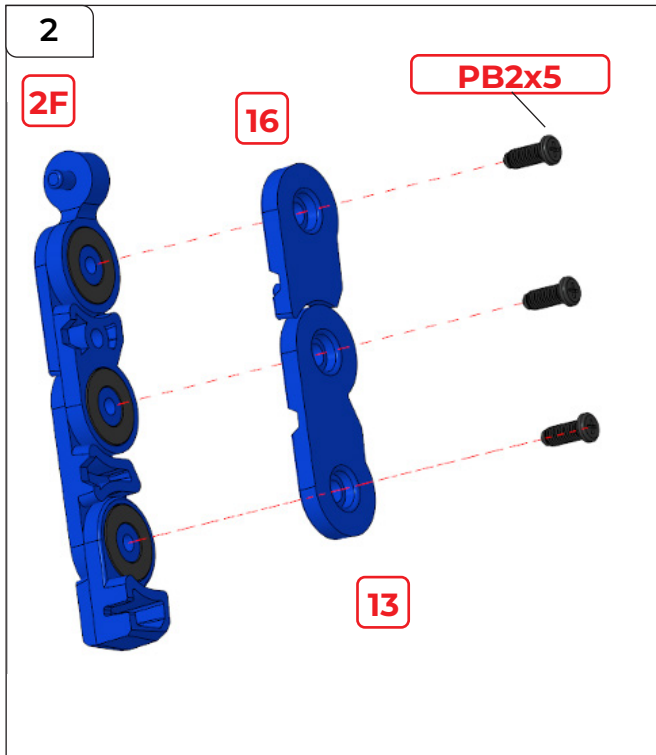
STEP 1

Snap No.s 12 & 14 from sprue **TR-3-40**.
 Snap No. 15 from **TR-3-41**.
 Snap 1 piece from **TR-3-44**.

Place **2x TR-3-47** onto 12 & 15.
 Place **1x TR-3-47** onto 14 and part **TR-3-44**.
 Fix 14 and 15 to 12.
 Fix TR-3-44 to 15.

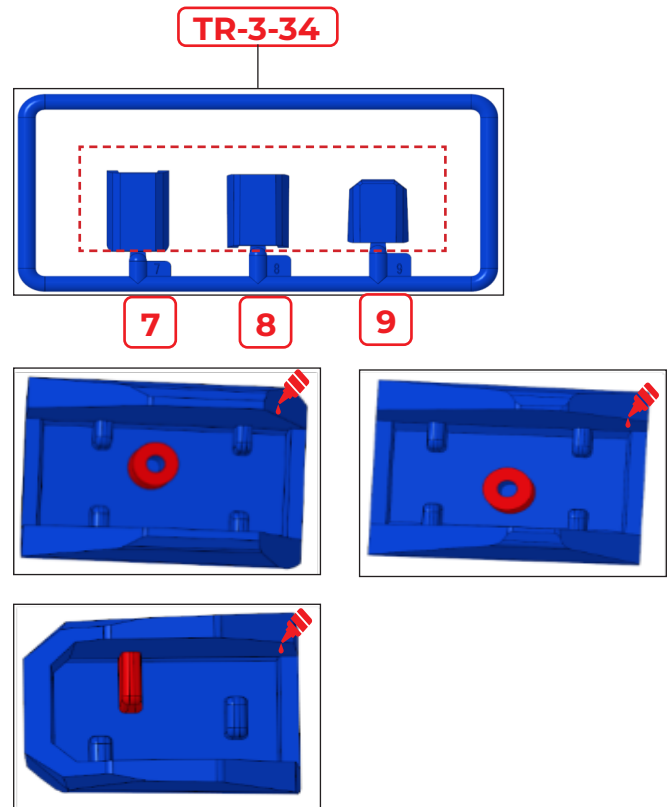
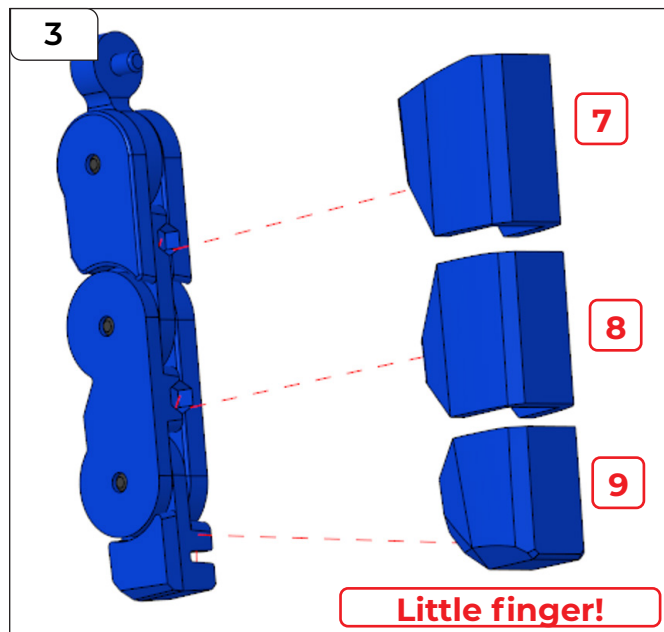


Assembling the Fingers



STEP 2

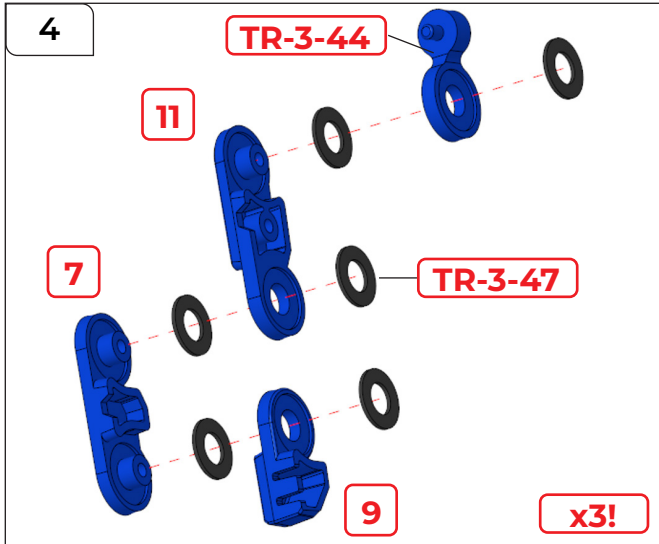
Snap No. 13 from TR-3-40.
 Snap No. 16 from TR-3-41.
 Fix 13 and 16 to 2F and secure them using 3x PB2x5 mm screws.



STEP 3

Snap No.s 7, 8 & 9 from TR-3-34.
 Apply glue as shown.
 Fix 7, 8 & 9 to the assembly from step 2 as shown.

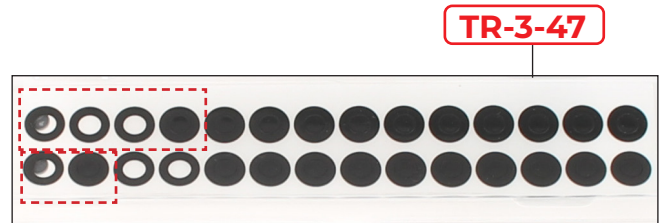
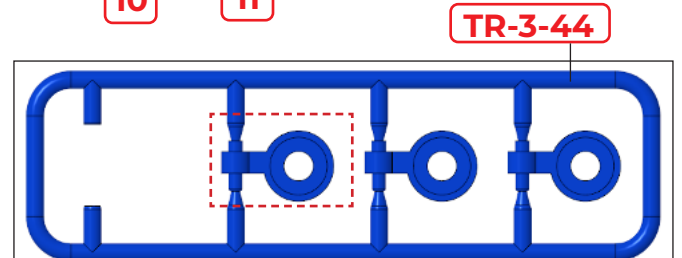
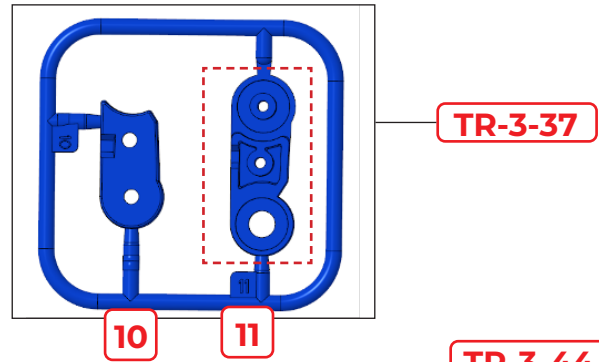
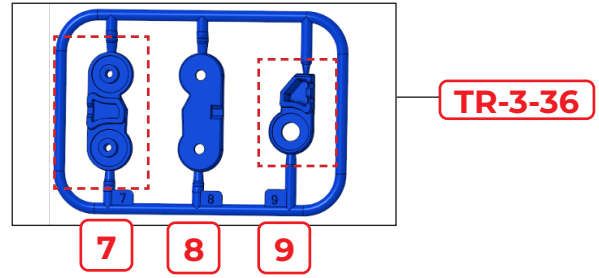
Assembling the Fingers



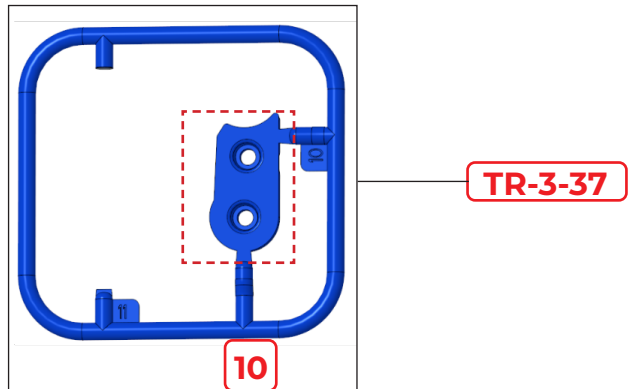
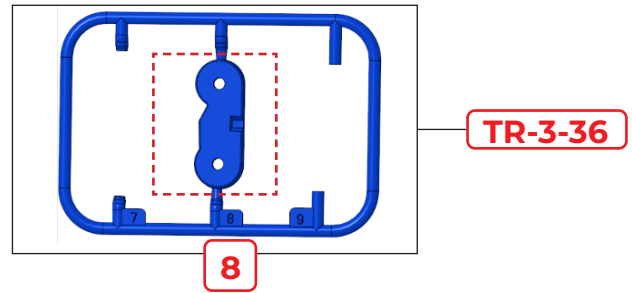
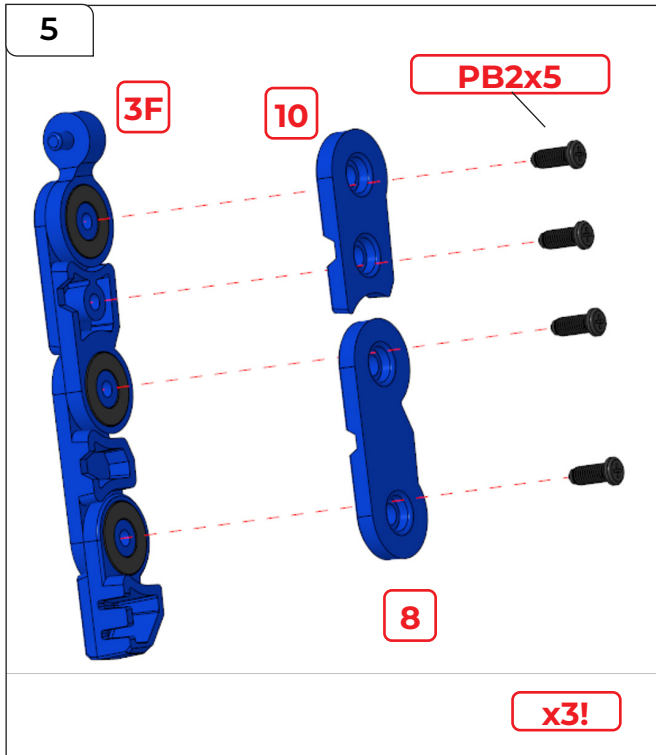
STEP 4

- Snap No.s 7 & 9 from **TR-3-36**
- Snap No. 11 from **TR-3-37**
- Snap 1 piece from **TR-3-44**
- Place 2x **TR-3-47** on 7 & 11
- Place 1x **TR-3-47** on 9 & **TR-3-44**
- Attach 9 & 11 to 7
- Attach **TR-3-44** to 11

Repeat step 4 to make 3 sets

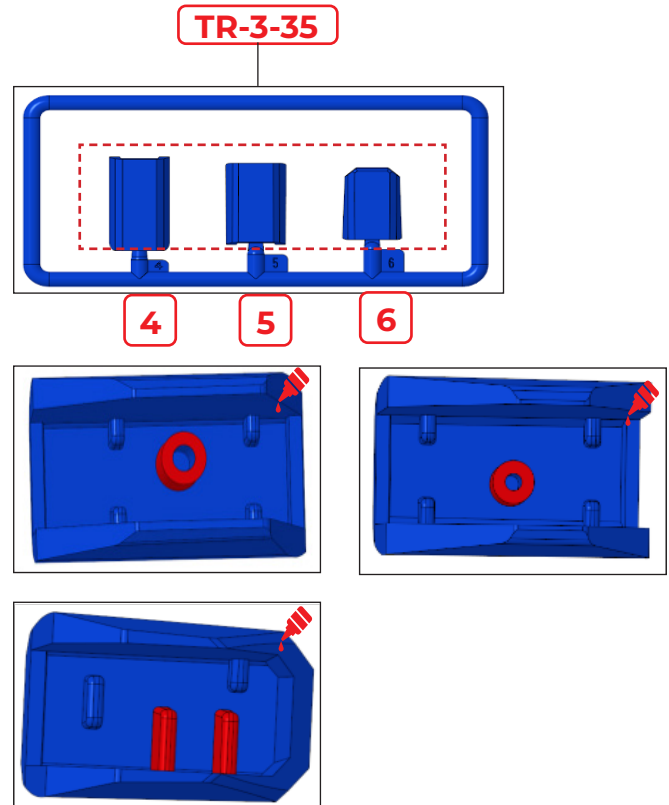
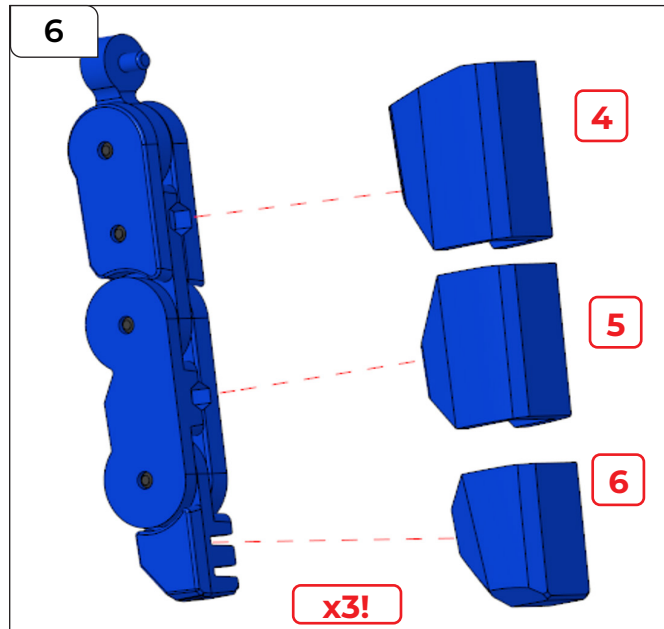


Assembling the Fingers



STEP 5

Snap No. 8 from **TR-3-36**
 Snap No. 10 from **TR-3-37**
 Attach 8 & 10 to the assembly from step 4 and secure using **4x PB2x5 mm** screws.
 Repeat this step to make 3 sets.

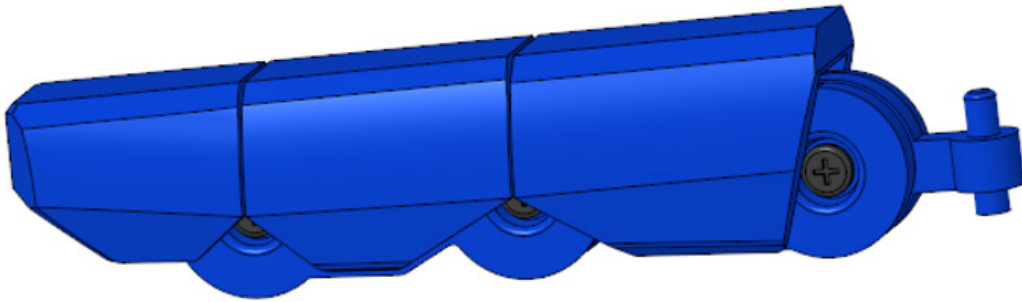


STEP 6

Snap No.s 4, 5 & 6 from **TR-3-35**
 Apply glue as shown
 Fix 4, 5 & 6 to the assembly from step 5 as shown.
 Repeat 3 times to complete 3 finger sets.

Assembling the Fingers

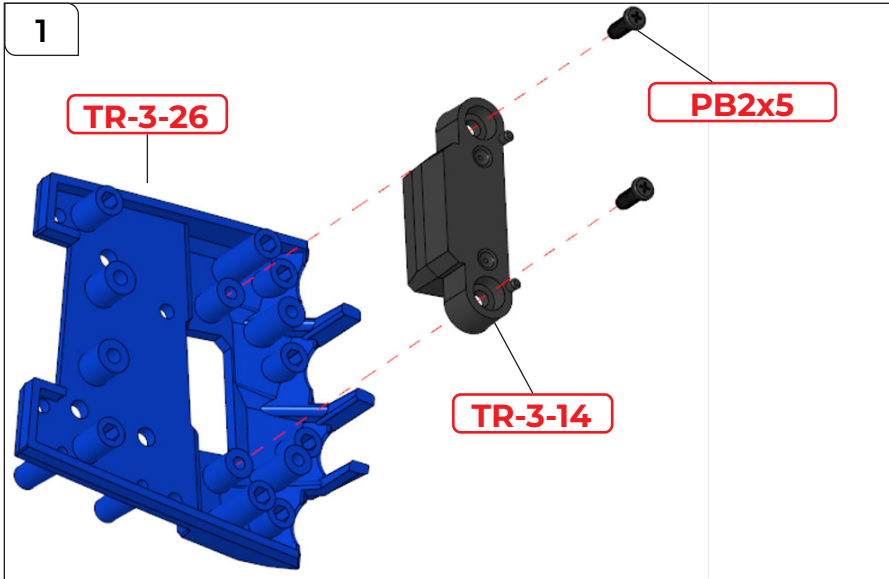
7



STEP 7

Your 3 sets of fingers should now look like this.

Assembling the Left Hand

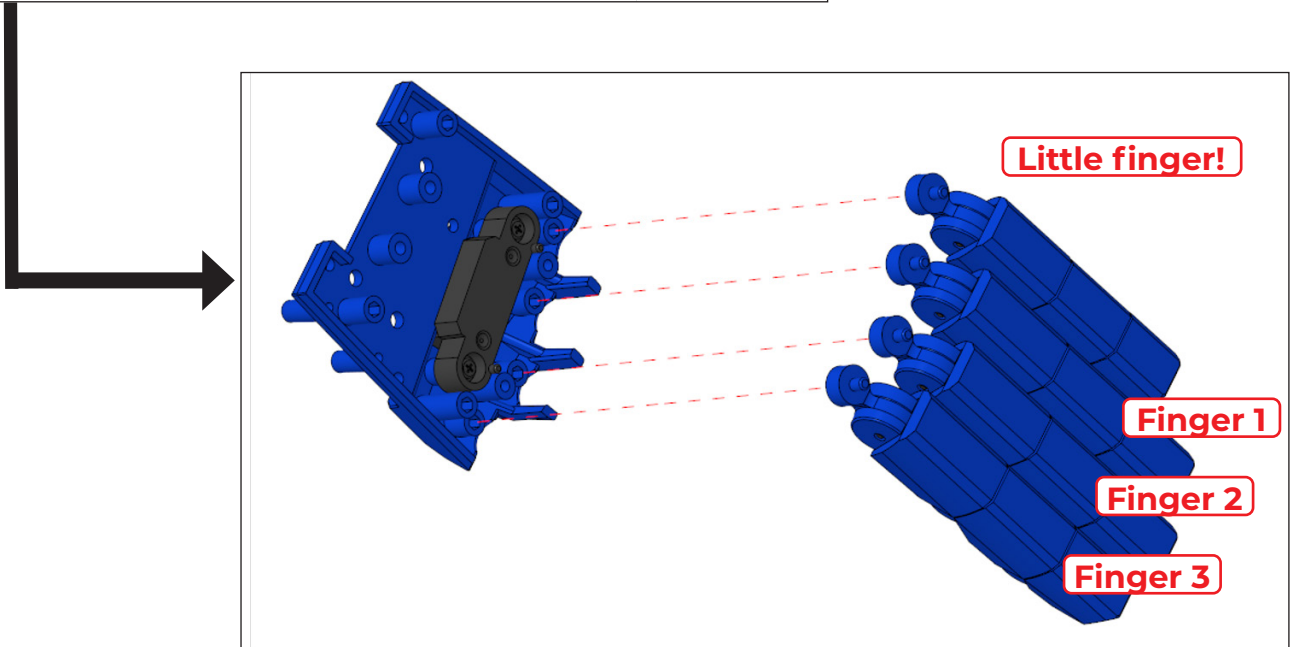


STEP 1

Attach TR-3-14 to TR-3-26 and secure together using 2x PB2x5 mm screws.

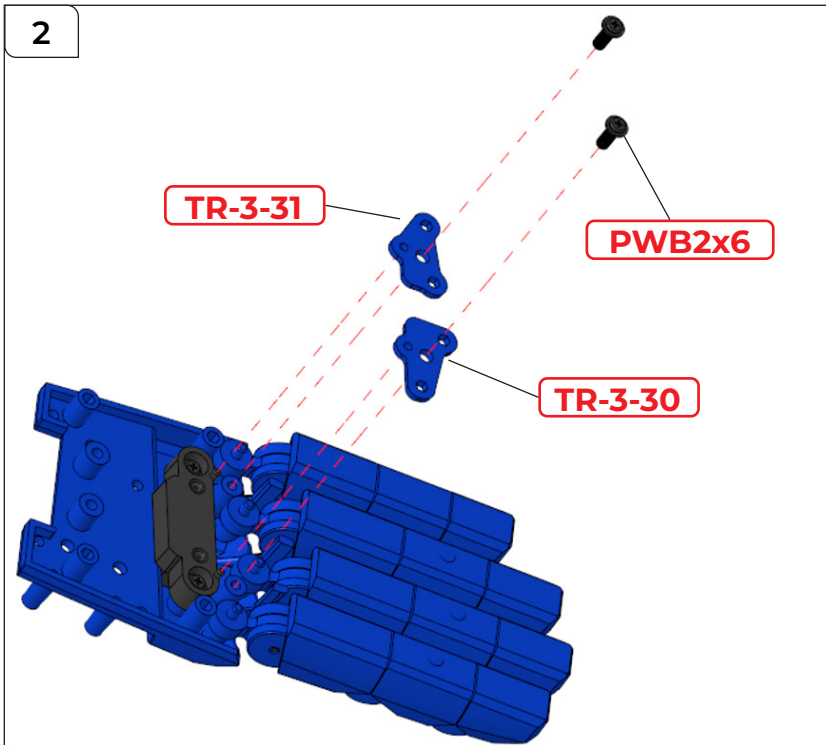
Attach the little finger and 3 sets of fingers as shown below.

Note, in this step and the step that follows, you may find it easier to attach two adjoining fingers at a time rather than all four fingers together.



Assembling the Left Hand

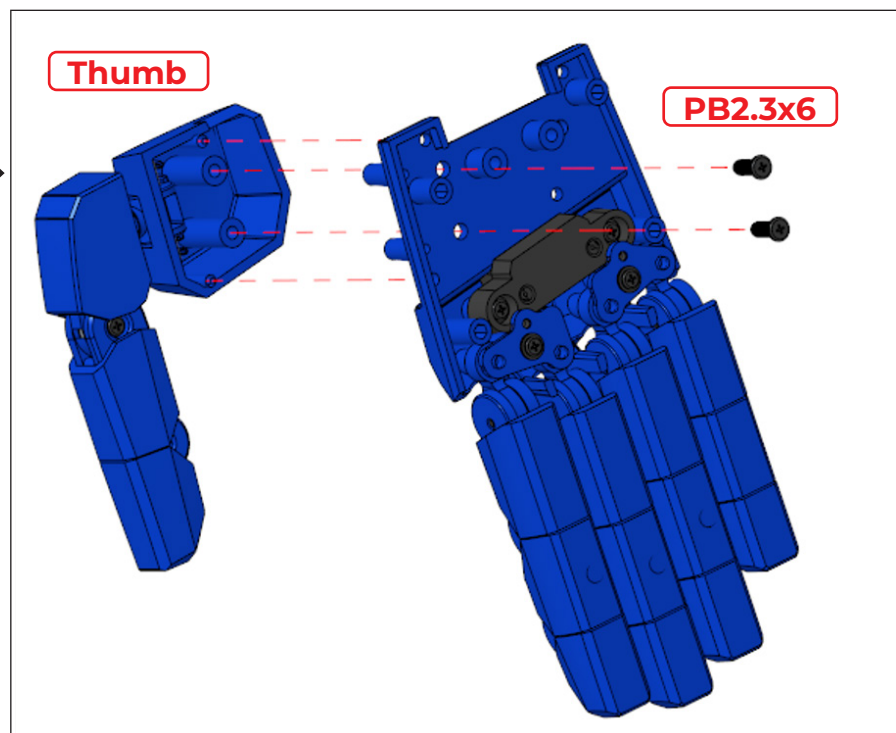
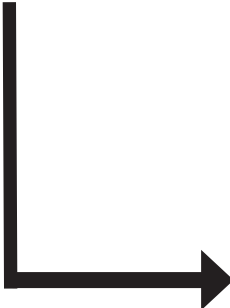
2



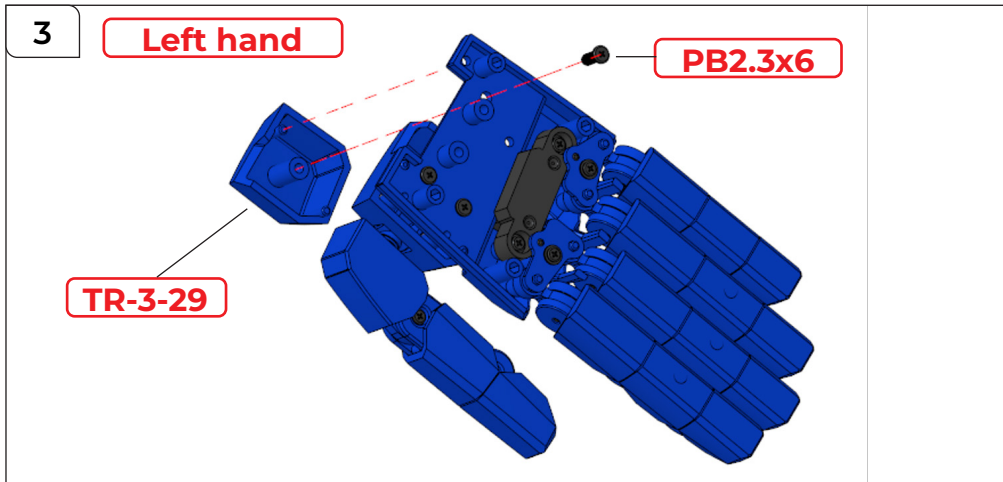
STEP 2

Attach **TR-3-31** and **TR-3-30** to the assembly from step 1 and secure them using **2x PWB2x6 mm** screws.

Then attach the thumb to the palm, securing them using **2x PB2.3x6 mm** screws.

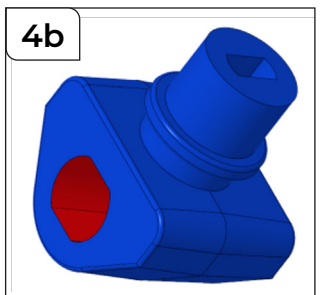
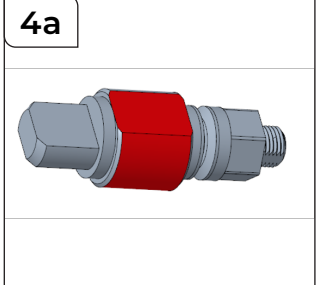
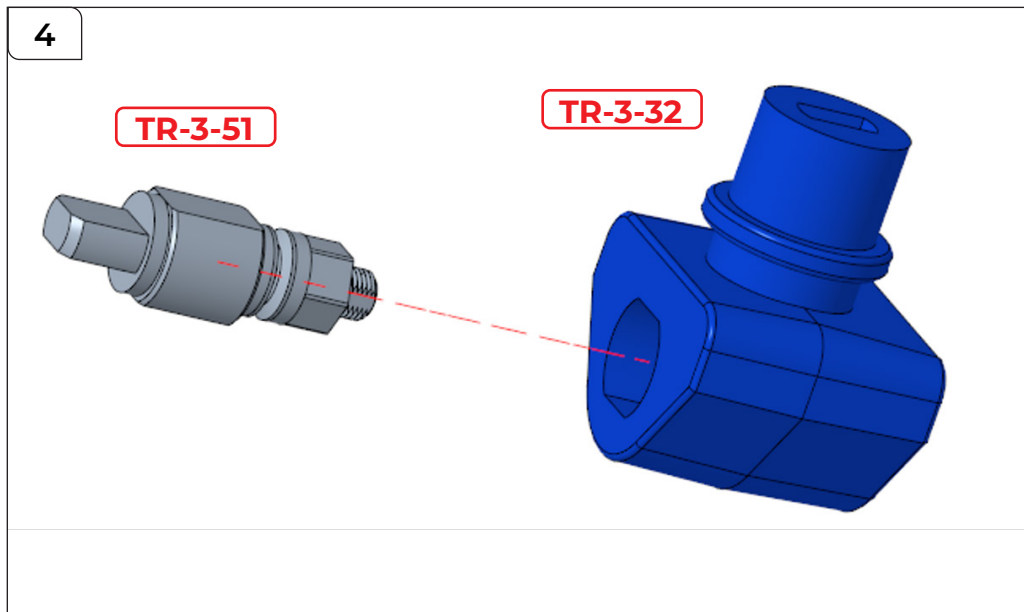


Assembling the Left Hand



STEP 3

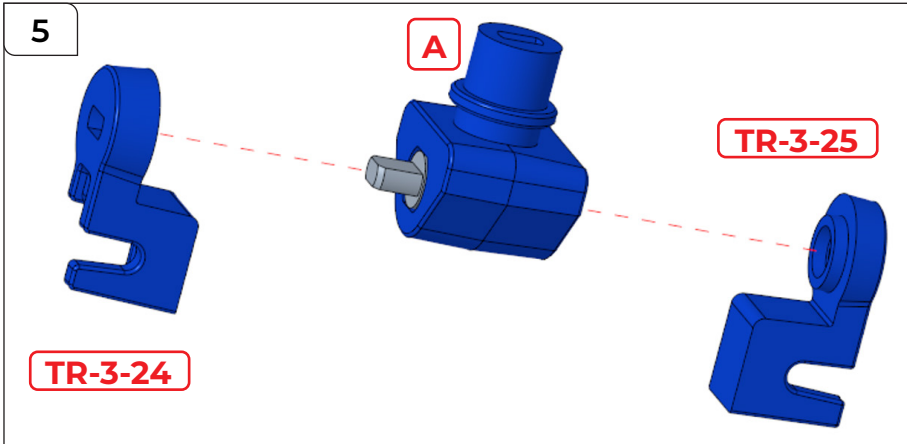
Attach **TR-3-29** to the left hand as shown. Use **1x PB2.3x6 mm** screw to secure it in place with the thumb.



STEP 4

Insert **TR-3-51** into **TR-3-32**, checking the orientation of the parts as shown in red in 4a and 4b. You may need a small hammer for this.

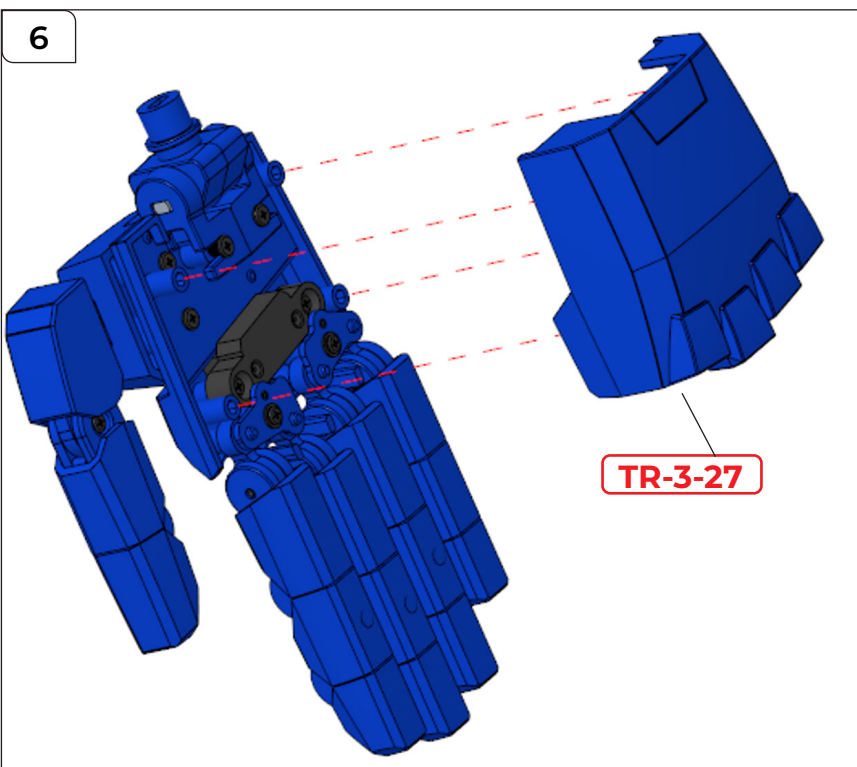
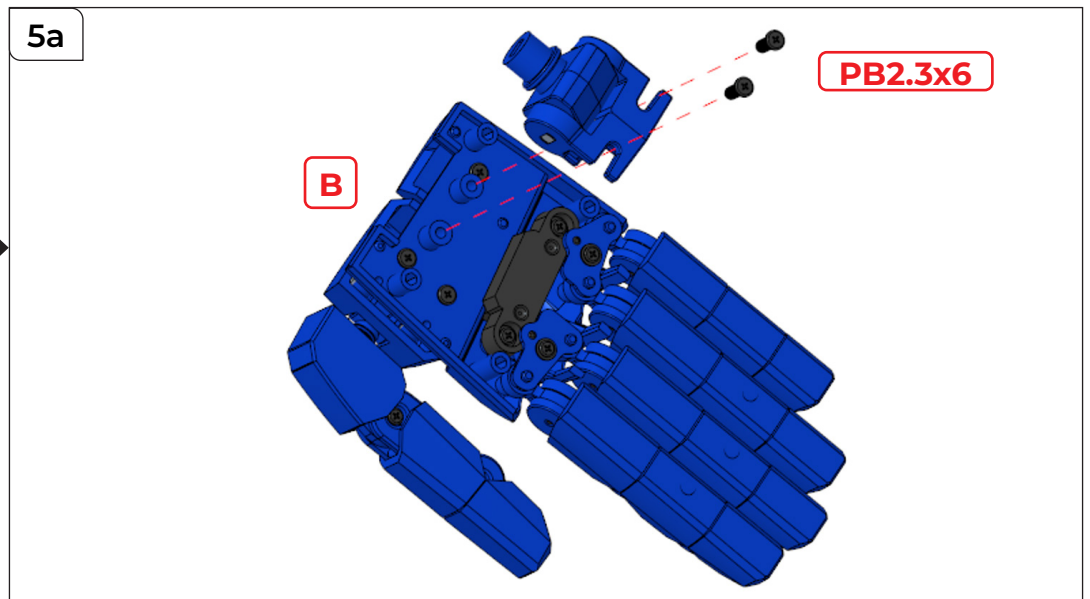
Assembling the Left Hand



STEP 5

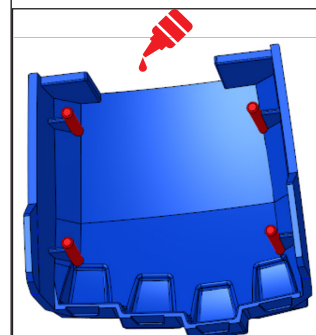
Attach TR-3-24 and TR-3-25 to A as shown.

Then fix the assembly to the hand (B) using 2xPB2.3x6 mm screws as shown below.

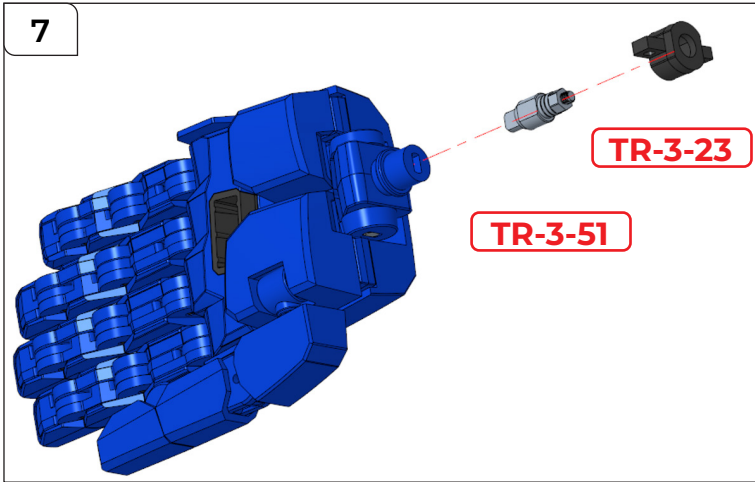


STEP 6

Apply a little glue to TR-3-27 as shown below, then attach it to the hand assembly.



Assembling the Left Hand

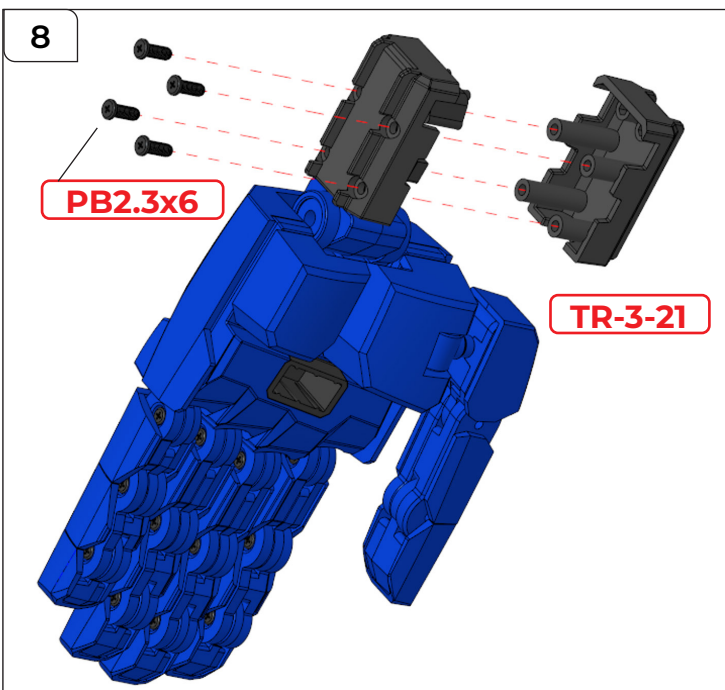
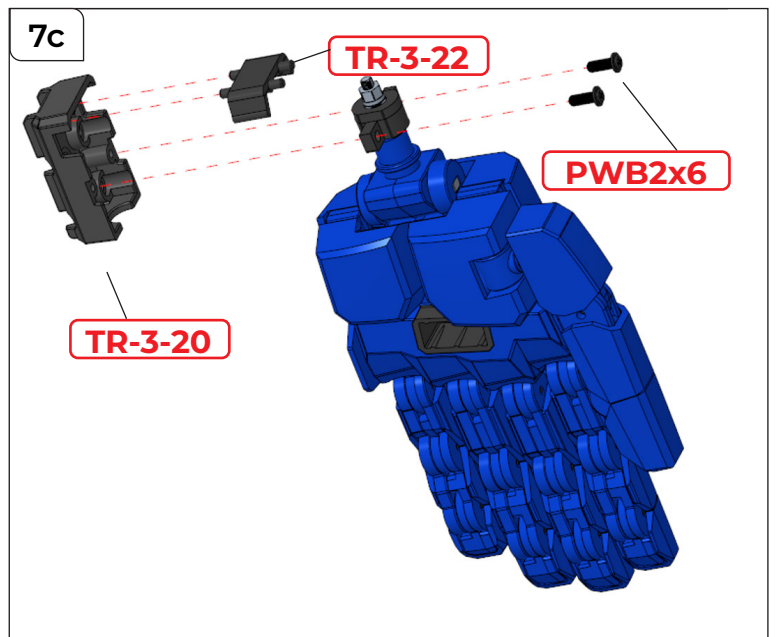


STEP 7

Attach **TR-3-51** and **TR-3-23** to the left hand as shown, checking the orientation as shown in 7a and 7b.

Then place **TR-3-22** on **TR-3-20** before attaching **TR-3-20** to **TR-3-23** on the hand as shown. Secure parts in place using **2x PWB2x6 mm** screws.

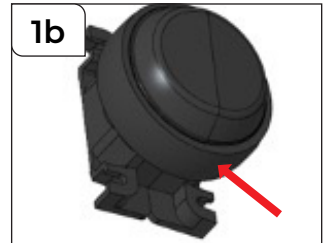
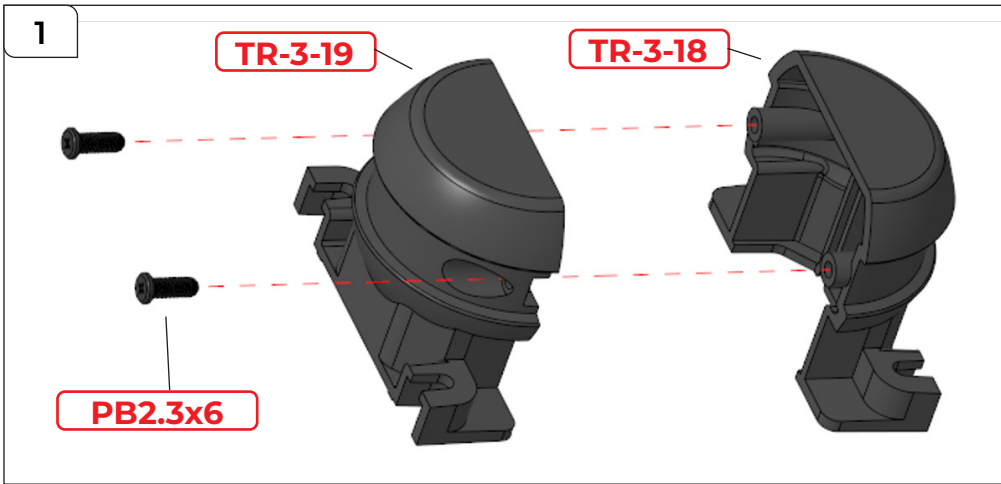
Note, part **TR-3-22** will be secured in place in the next step.



STEP 8

Attach **TR-3-21** to the hand, securing it in place as shown using **4x PB2.3x6 mm** screws.

Assembling the Lower Left Arm

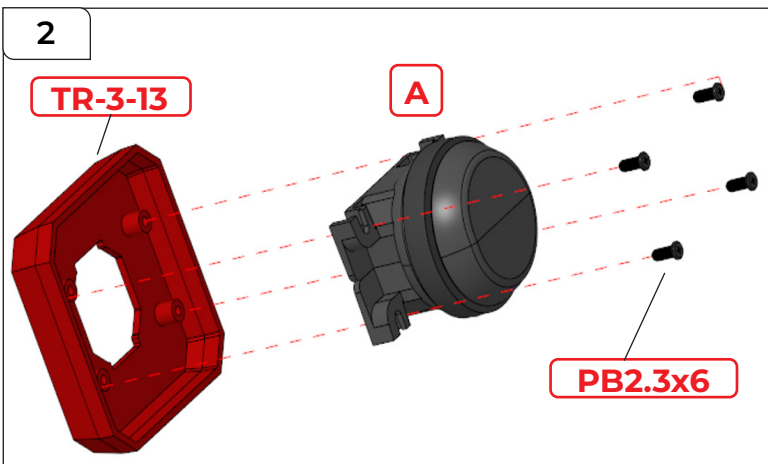
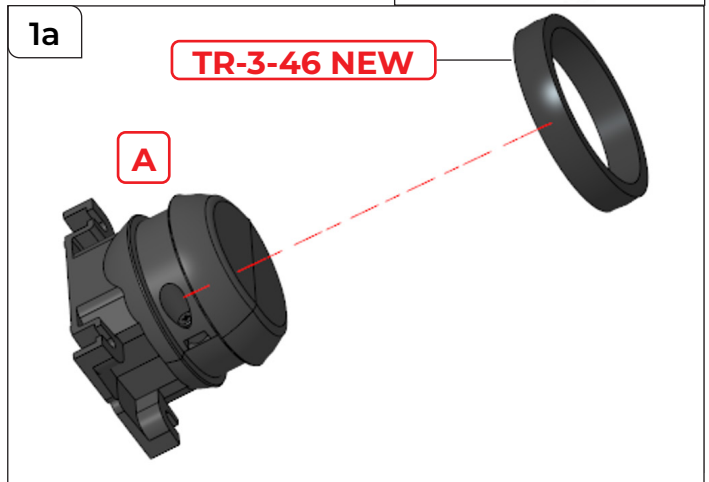


STEP 1

Join TR-3-19 and TR-3-18 together, securing them using 2x PB2.3x6 mm screws.

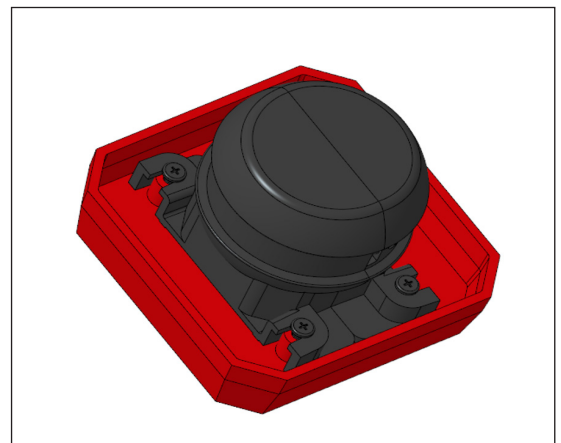
WARNING: Part TR-3-46 used in this step has been upgraded. Please use the new part supplied in a separate bag labelled **TR-3-46 NEW**.

Push TR-3-46 NEW into the recess on A (shown in position in 1b).

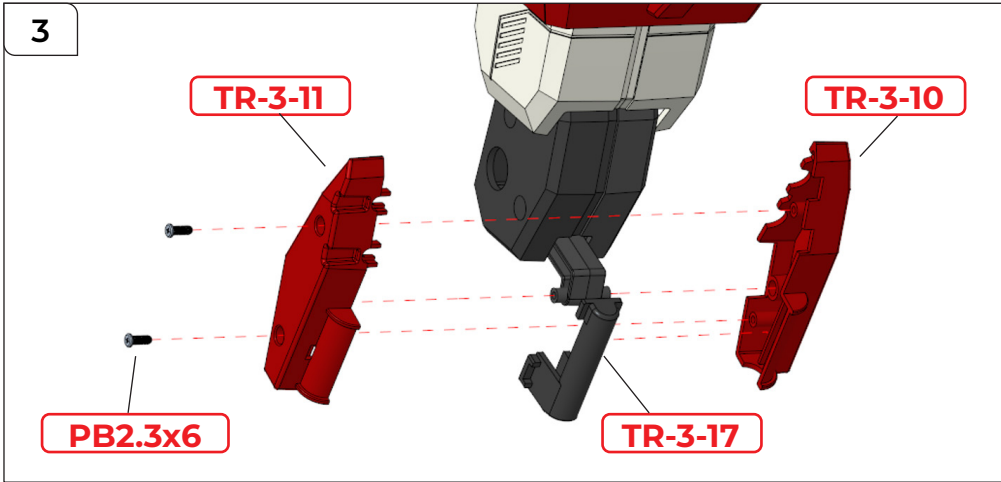


STEP 2

Attach TR-3-13 to A, securing in place with 4x PB2.3x6 mm screws.

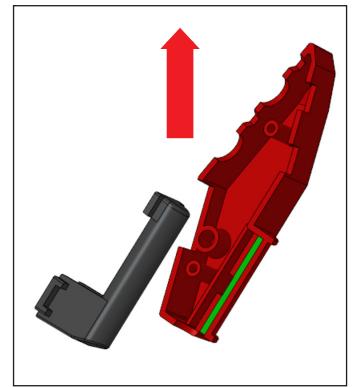
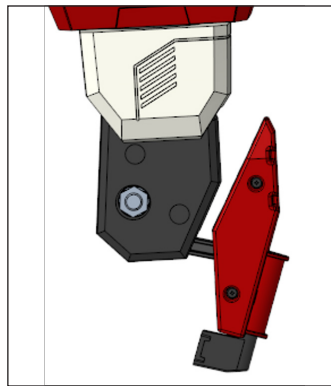


Assembling the Left Arm

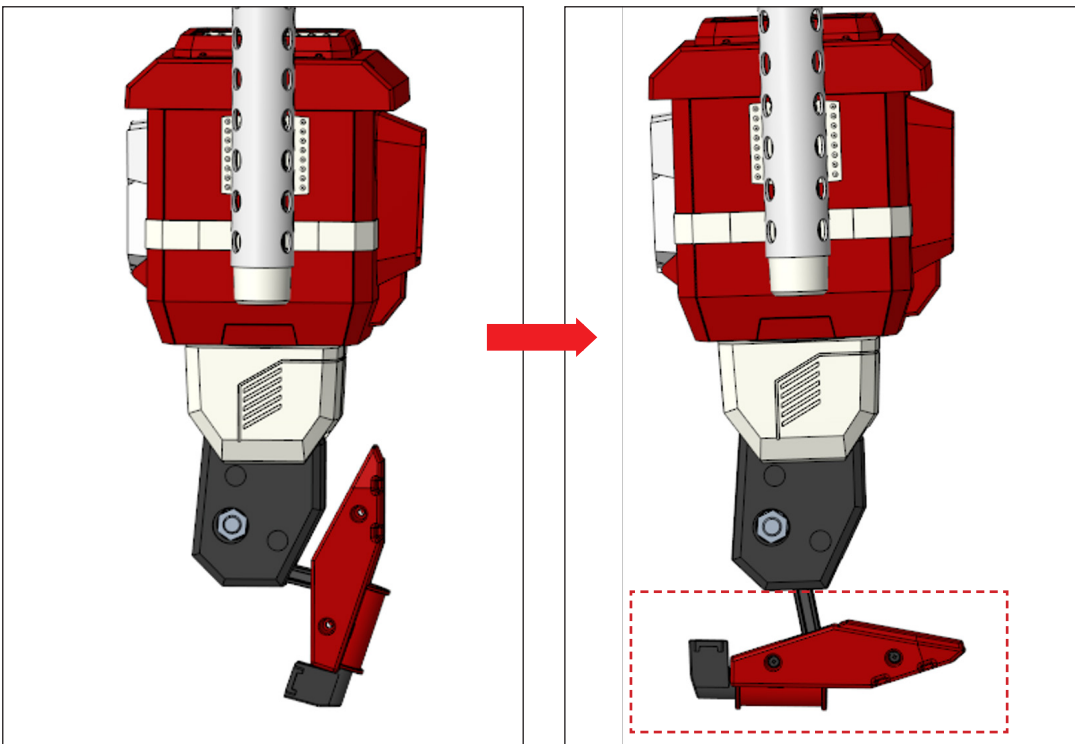


STEP 3

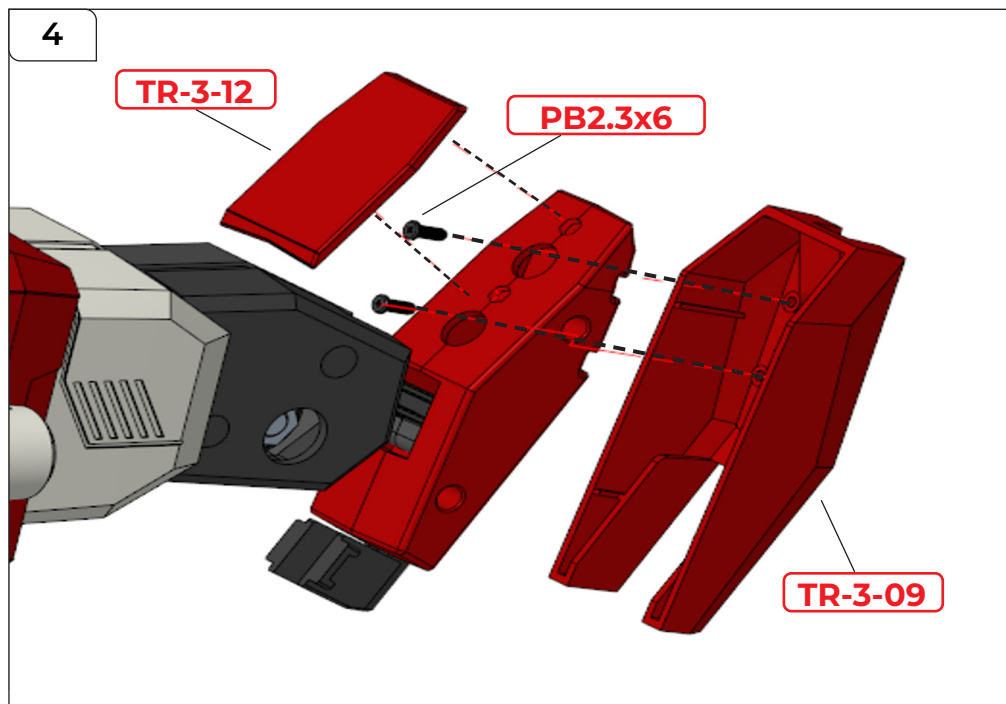
Attach **TR-3-11, 10 & 17** to the left arm, completed in pack 2. The images to the right show the correct orientation for these parts. Secure together using **2x PB2.3x6 mm** screws.



Before starting the next steps, arrange the bottom section of the left arm in the orientation shown in below.



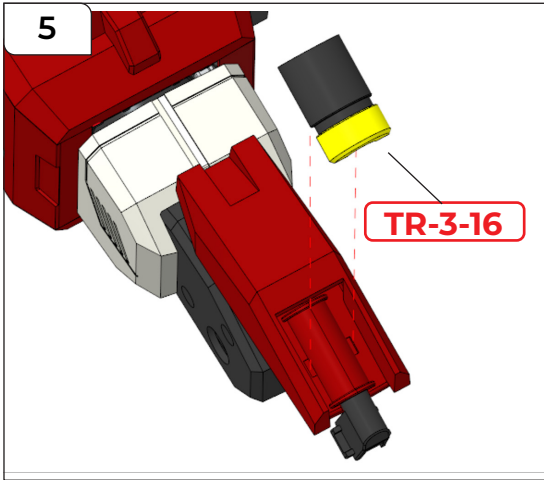
Assembling the Lower Left Arm



STEP 4

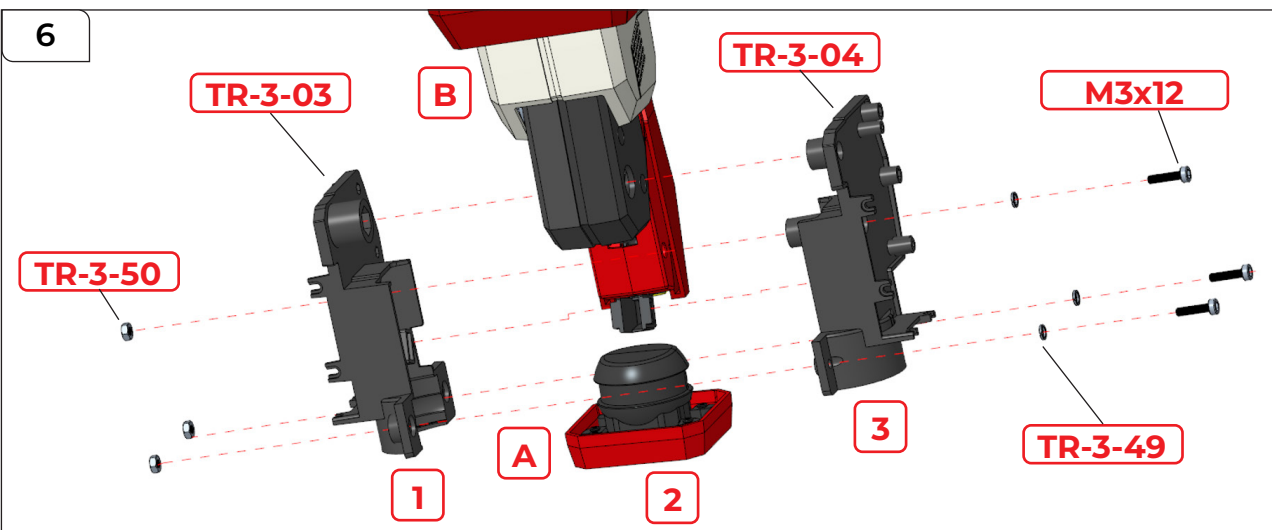
Attach **TR-3-09** onto the arm assembly and secure it using **2x PB2.3x6 mm** screws. Fix **TR-3-12** to the arm as shown in 4.

Assembling the Lower Left Arm



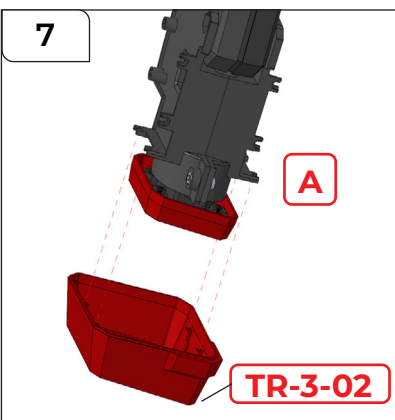
STEP 5

Attach TR-3-16 to the arm.



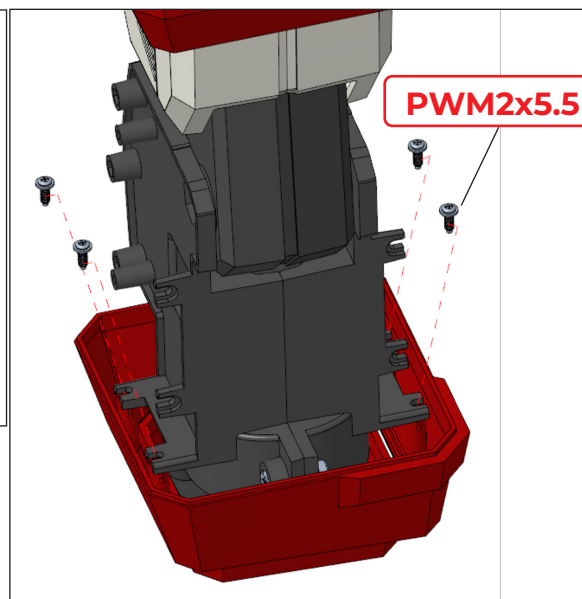
STEP 6

Attach assembly A, TR-3-03 and TR-3-04 to assembly B.
Thread 3x TR-3-49 onto 3x M3x12 mm screws, then feed them through the screw holes as shown. Secure in place using 3x TR-3-50 nuts.

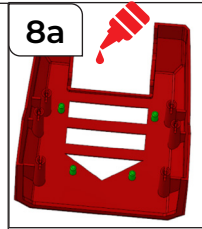
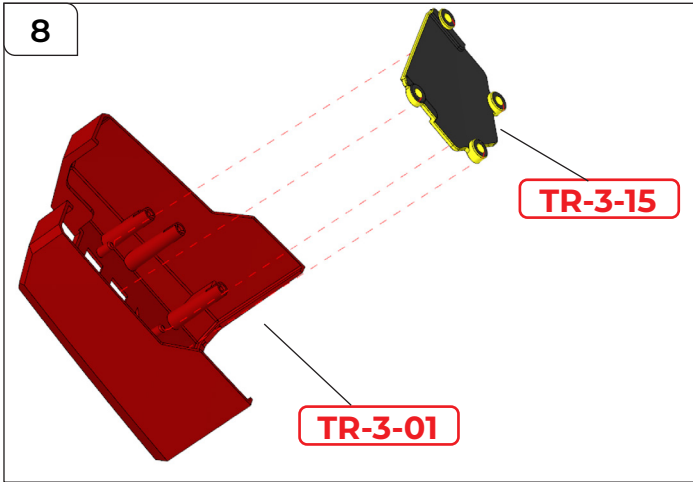


STEP 7

Attach TR-3-02 to A as shown in 7. Secure it in place using 4x PWM2x5.5 screws.

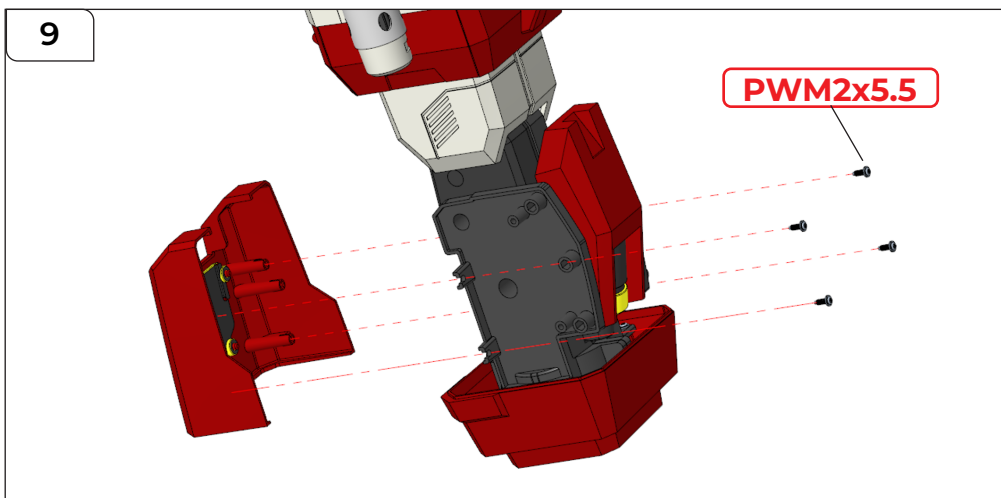


Assembling the Lower Left Arm



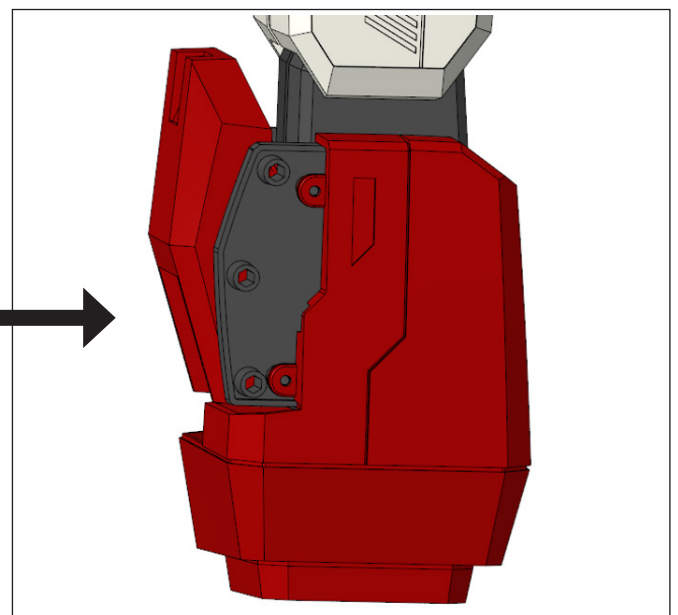
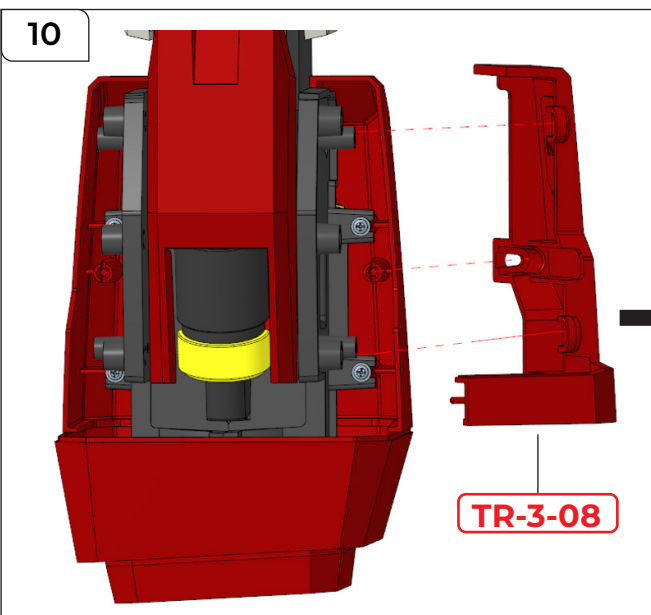
STEP 8

Apply a little glue to **TR-3-01** (indicated by the green area in 8a) before attaching it to **TR-3-15** as shown.



STEP 9

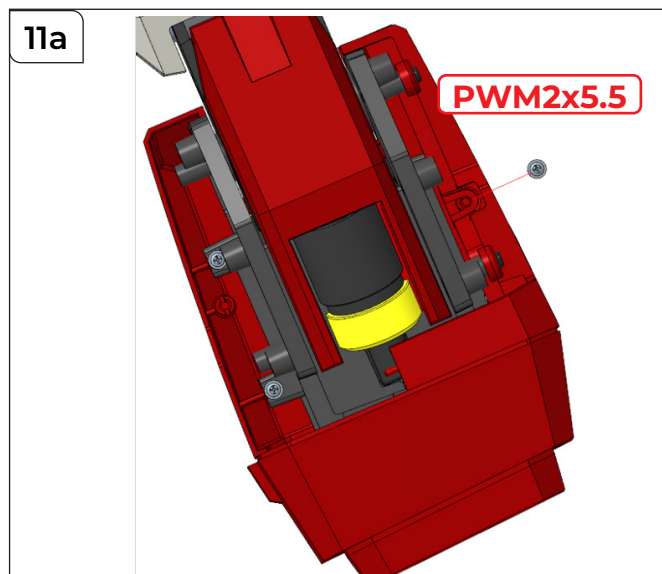
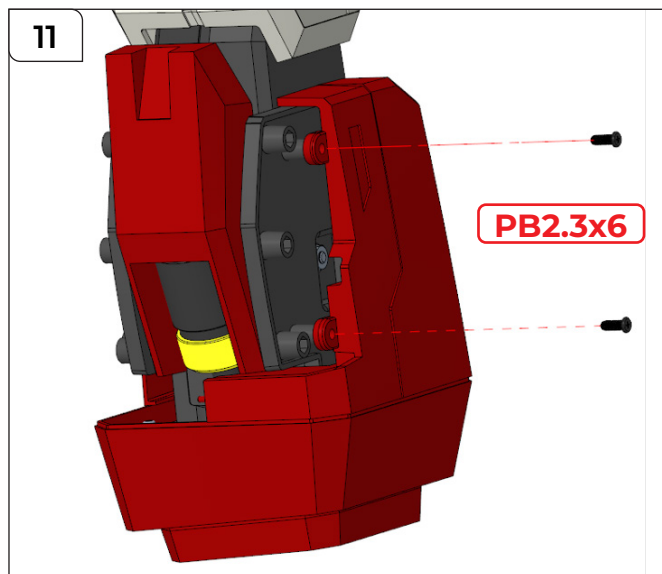
Attach the assembly from step 8 to the arm as shown. Secure it in place using **4x PWM2x5.5 mm** screws.



STEP 10

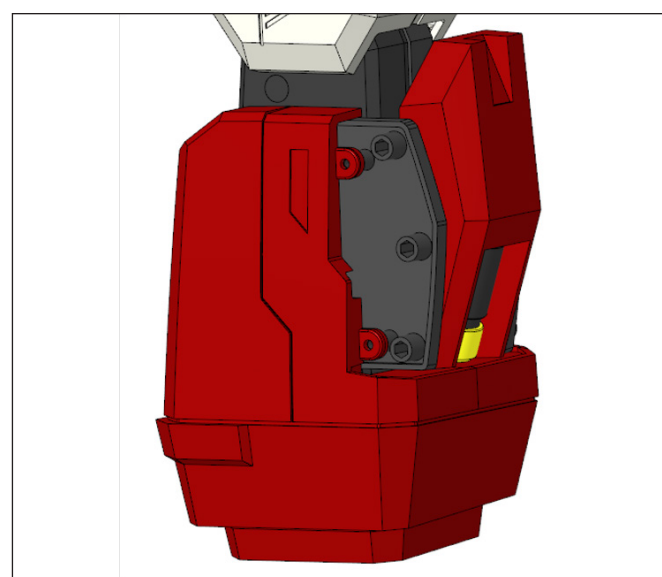
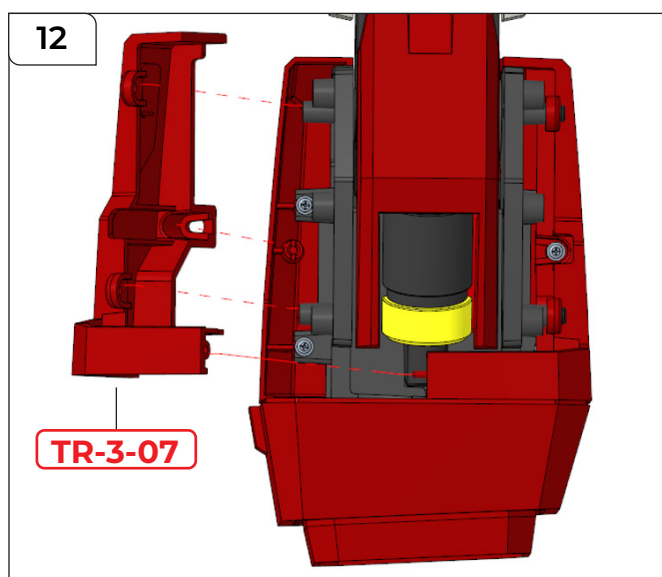
Attach **TR-3-08** to the arm, as shown.

Assembling the Lower Left Arm



STEP 11

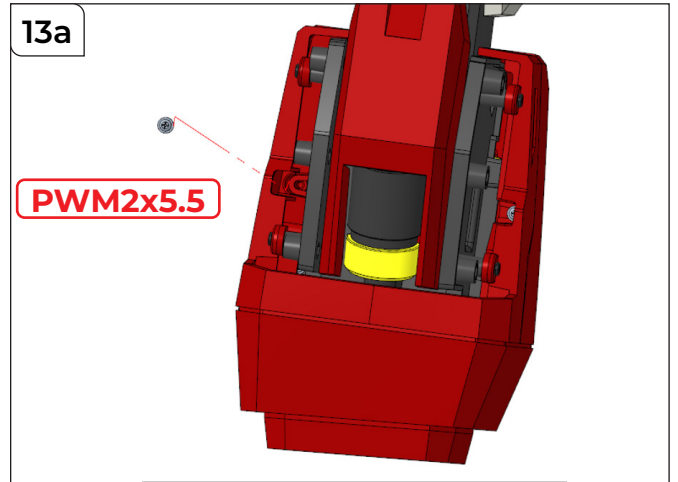
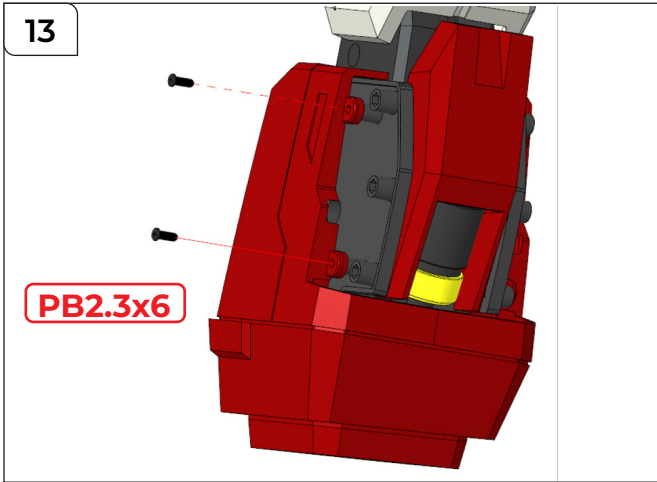
Secure TR-3-08 to the arm using 2x PB2.3x6 mm screws and 1x PWM2x5.5 mm screw as shown in 11 and 11a above.



STEP 12

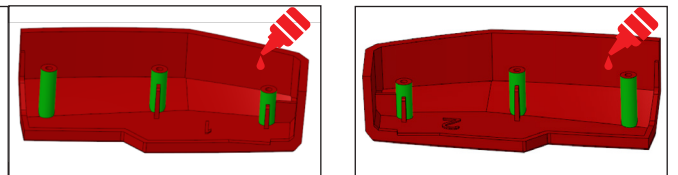
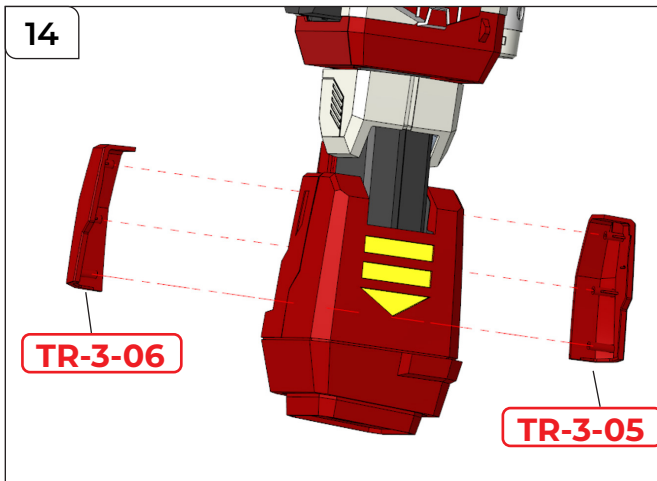
Attach TR-3-07 to the other side of the arm as shown.

Assembling the Lower Left Arm



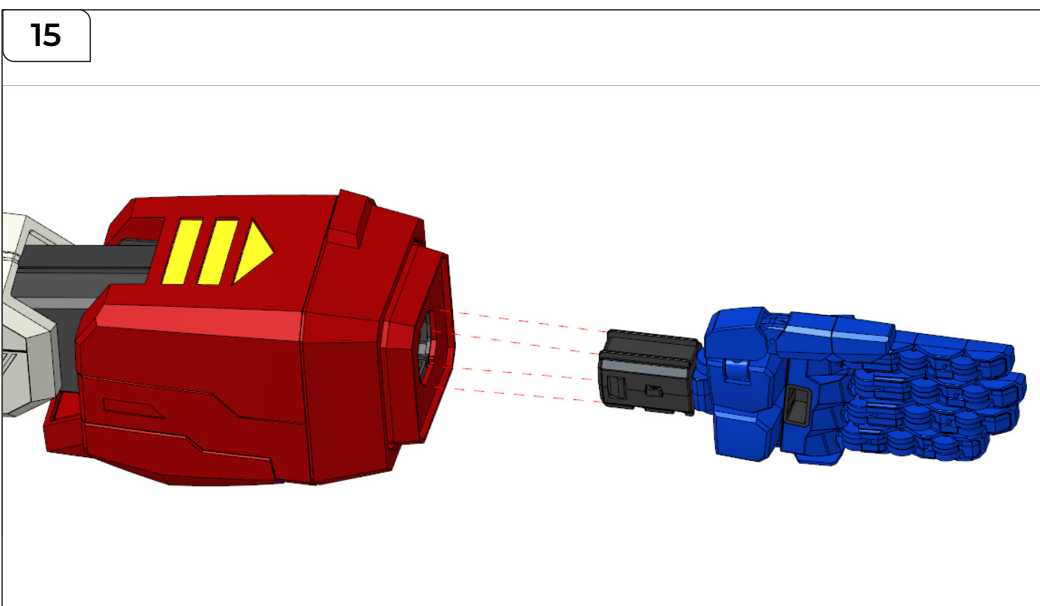
STEP 13

Secure TR-3-07 to the arm using 2x PB2.3x6 mm screws and 1x PWM2x5.5 mm screw as shown in 13 and 13a above.



STEP 14

Test fit TR-3-05 and 06 as shown, then apply a little glue (indicated by the green areas in the images above) before fixing them in place.



STEP 15

Push the hand assembly into the end of the arm assembly as shown.

Assembling the Lower Left Arm

